



# Infinity - Century Combination Installation Instructions

Gelcoat & Solid Surface Bathware

Tools and materials you might need for proper installation:

- Level
- Caulking gun
- Drill
- Scissors
- Jig saw or router
- Wood file or 180 grid sand paper
- 100% silicone caulking
- Clamps
- Galvanized screws
- (8) 1" bolts and nuts with 1" washers (included with unit)
- Duct tape

Thank you for purchasing Praxis Bathware. For best results, please read and follow all directions carefully.

## PRE-INSTALLATION PLANNING

1. Review *Figures 1, 3 and 4* to make sure alcove is of proper size. Framing alcove interior must reflect dimensions shown in *Figures 3 and 4* to permit installation of shower and bathtub. The short wall along the end of the bathtub may be installed after both units are set in place. Note in Framing Example in *Figure 5* to see the required openings in the floor to provide clearance for the drain trap and fitting connections.

2. Before installation, carefully inspect the shower and bathtub for damage or defects. If any are noted, please contact the dealer where you purchased the fixtures before proceeding with installation.

3. Wood shims must be placed under the back edge of the shower and the bathtub to provide bottom support. 2-shims minimum for each fixture, required.

4. Wall board with water resistant finished material such as ceramic tile must be installed to complete the area above and at the end of the bathtub. Plan for use of these materials.

## INSTALLATION PROCEDURE - SHOWER & TUB

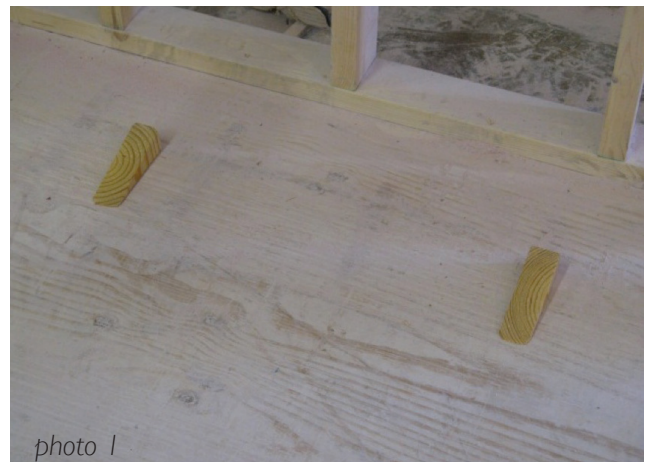
1. Make certain your framed pocket is square and plumb in accordance with product dimensions. Shower and bathtub dimensions are indicated in *Figures 3 and 4*.

2. Finish rough plumbing, but leave unstrapped at this stage. Find drain line and trap locations as indicated in *Figure 5*.

3. Shim under the back edge of the shower and tub at each end. Stabilize the shims so they stay in position with either panel adhesive or screw into the

construction floor. (See *figure 2*)

**Note:** An easier way to level the unit is to insert and level the shower, mark where the shims go, pull out the shower and insert the tub and level, mark where shims go, remove tub and fasten the shims in place for both the shower and tub. (See *photo 1*)



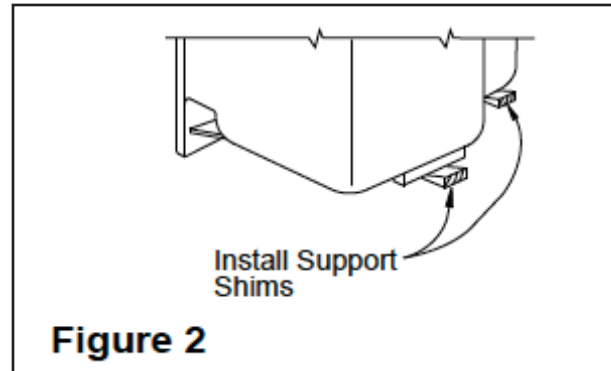
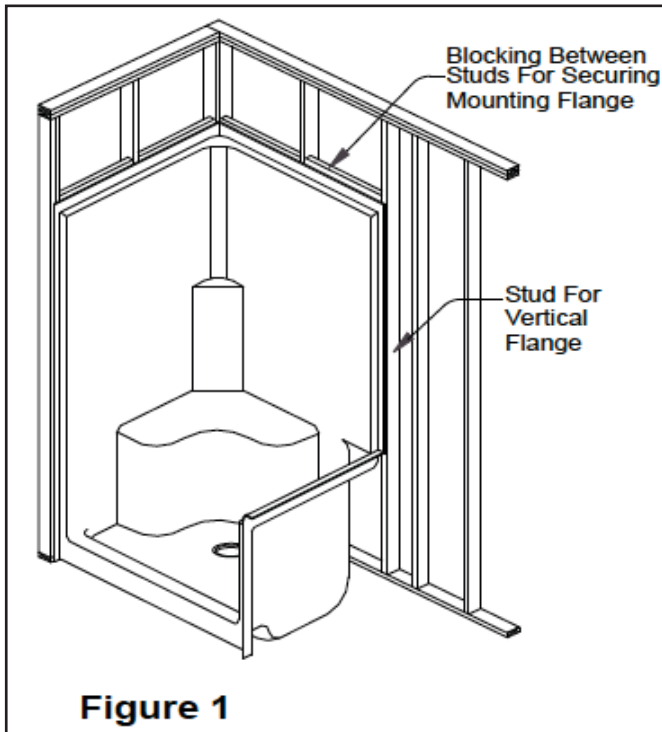
4. The bathtub mates directly to the side of the shower. As described earlier in "Pre-Installation Planning section #1", the short framing wall on the end of the enclosure may be installed after the shower and bathtub are in place. (See *photo 2*)





# Infinity - Century Combination Installation Instructions

*Gelcoat & Solid Surface Bathware*



5. Review *Figure 3*. Note the shaded area on the side of the shower. This area is where the two units come into contact. The flanges where the two units mate will be secured with stainless steel nuts and bolts with a one inch stainless steel washer against the flange on each side. (see *photo 3*)



6. Before installing the bathtub, attach the drain and overflow assembly, following the instructions provided with the fitting. Install drain fitting on shower base. Pry the strainer plate off the drain body. Disassemble the

locknut and two gaskets. Apply a thick bead of 100% silicone caulking to the drain hole area in the shower and insert the drain body. Install the rubber washer and locknut in that order.

Tighten the locknut. Wipe away excess caulking from the finished side that has squeezed from the fitting before it cures.

Remove the rubber caulking gasket located inside the shower fitting. This will permit the 2" waste pipe to slip into the drain assembly when the shower is lowered into place.

(After shower is secured to the framing, install the rubber gasket inside the drain fitting before use. Praxis Companies, LLC is not responsible for leaking drain connections).

If the shower is installed over a crawl space or basement where access from below is available, the drain pipe may be installed after the shower has been set in place.

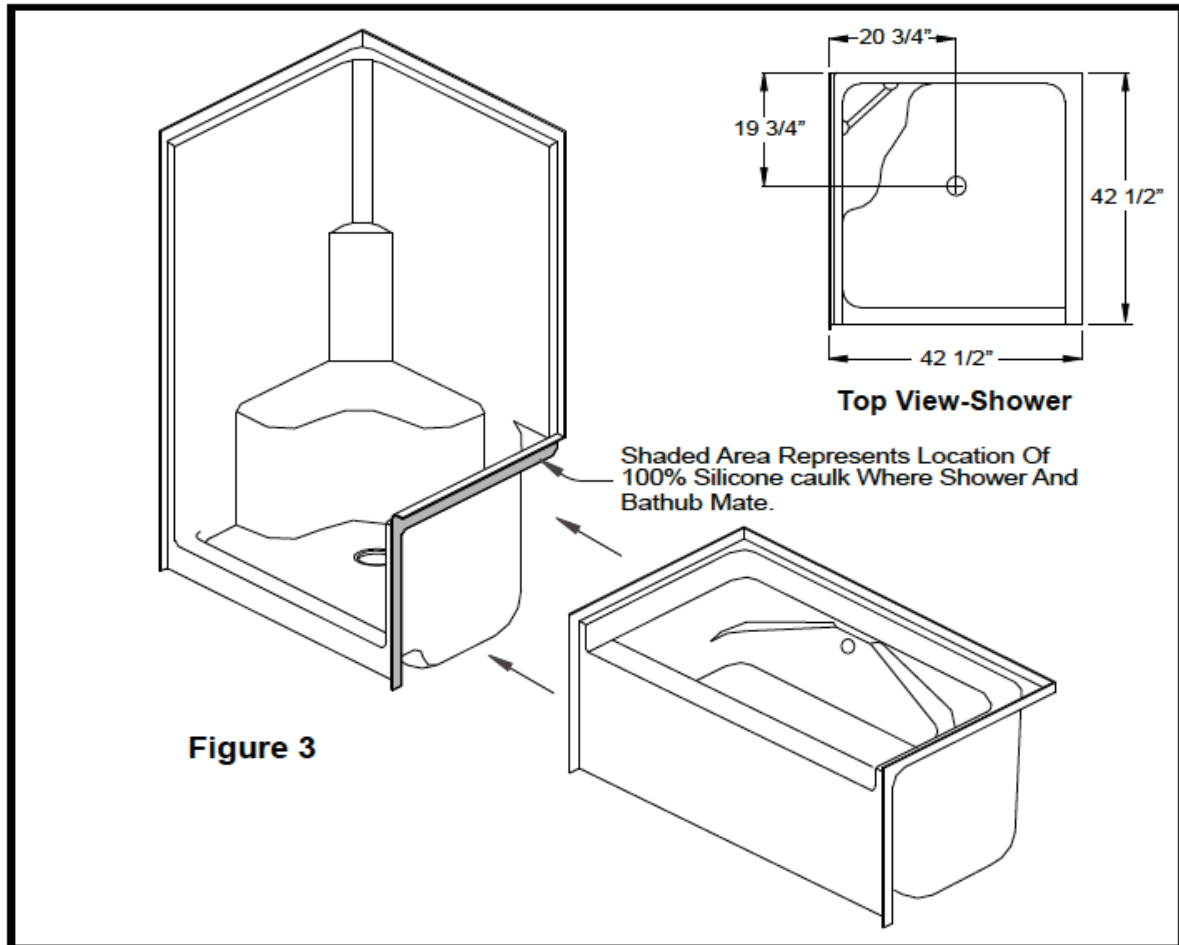
7. Apply a heavy bead of 100% silicone caulk to the side flanges of the bathtub where it mates with the shower. This will act as both an adhesive and a buffer to eliminate any squeaking noise that may occur over time. (See *Figure 3* and *photo 4*)

8. With the shower and tub staged in front of the stud pocket and the silicone applied to the side flanges, push the units together and install the included 1" bolts, washers and nuts through the factory pre-drilled holes on the mating walls of the shower and tub units.



# Infinity - Century Combination Installation Instructions

*Gelcoat & Solid Surface Bathware*



**Figure 3**

Carefully move one of the units slightly to align the bolt holes. Take care not to over tighten the nuts and bolts (See *Bridge Cap Detail in Figure 4*)



*photo 4*

9. With the shower and tub units attached to each other slowly push the units into the stud pocket opening. Take care not to twist the units as they are being pushed into place. Additionally, take care to guide the drain pipes through the drain openings of the shower and tub units. (See *photo 5*)

10. Once the units are pushed into the stud pocket make sure the units are level by using a level on top of the bathtub apron and along both finished sides front to back to ensure the bathtub is level and plumb. Confirm wood shims are in proper contact with the back edge of the shower and bathtub. Adjust the shims if necessary. (See *photos 6A, 6B and 6C*)

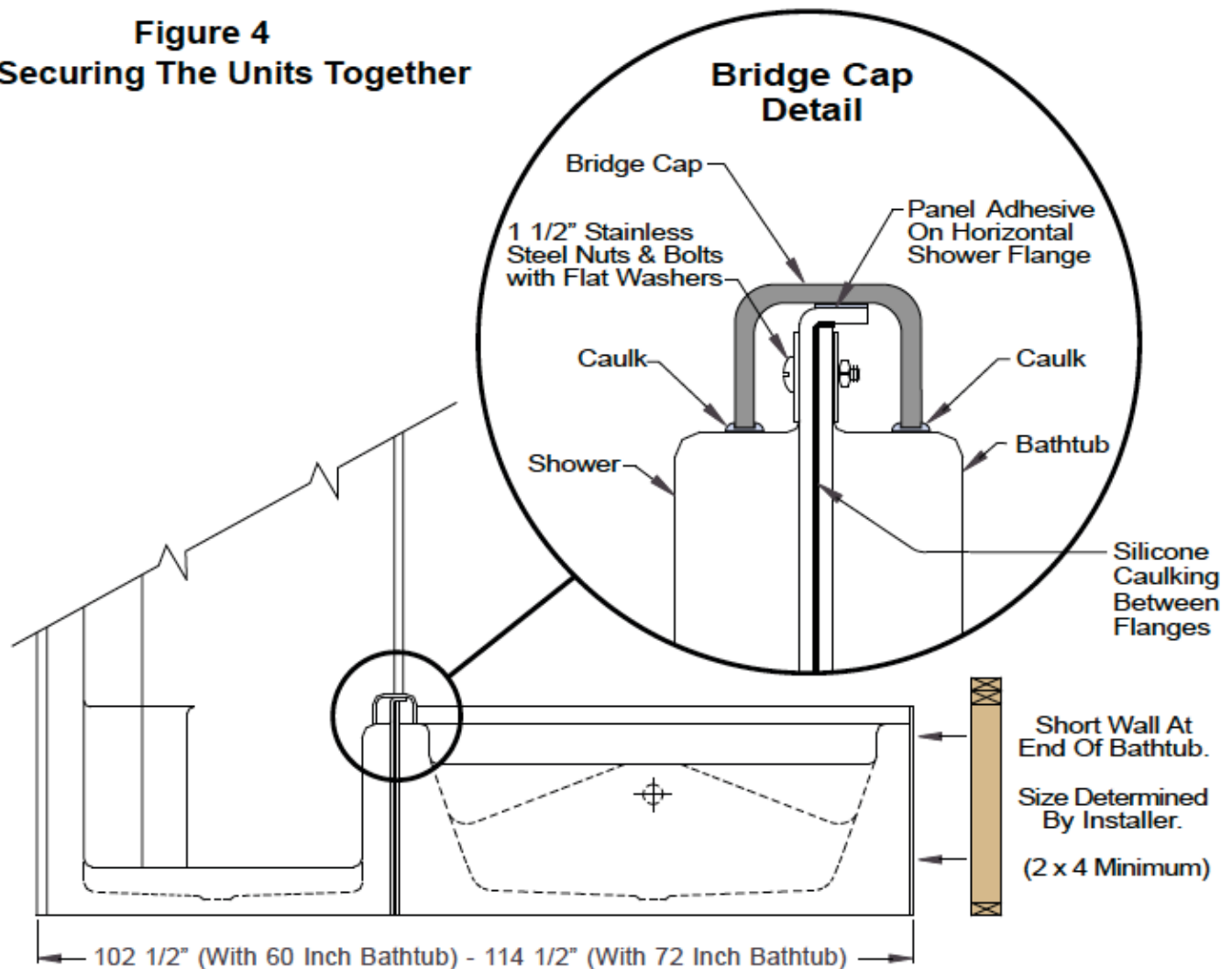


# Infinity - Century Combination Installation Instructions

*Gelcoat & Solid Surface Bathware*



**Figure 4  
Securing The Units Together**



**NOTE:** The front facing flange and the horizontal facing flanges on the tub and the shower should align within 1/4".

1. Drill holes through the back and side flanges on both units at the stud locations. Secure through the flange every 8" on center with screws.

### INSTALLATION OF BRIDGE CAP

1. The provided Bridge Cap must be installed to cover the mated joint where the bathtub is mounted to the shower. The bridge cap will be notched by the manufacturer prior to leaving the plant. The following steps detail the installation of the Bridge Cap.

2. Trial fit the Bridge Cap to confirm a good fit. If the fit needs improved, make the appropriate modifications. (See photo 7) Adjustments to notch may be needed. Be careful to make small adjustments at a time and check fit. Gaps between the shower/tub and bridge cap should be 1/4" or less for easier caulking. The bridge cap should fit next to the radii on the shower side allowing for the glass shower wall to sit on bridge cap. (See photo 8) The grout lines on the bridge cap should align with the grout lines on the tub. During the fitting process place the level on the vertical portion of the bridge cap to assure vertical section is plumb. You may need to use the wood popsicle sticks to shim the bridge cap to assure it is plumb. (see photos 7, 8 and 9)



# Infinity - Century Combination Installation Instructions

Gelcoat & Solid Surface Bathware

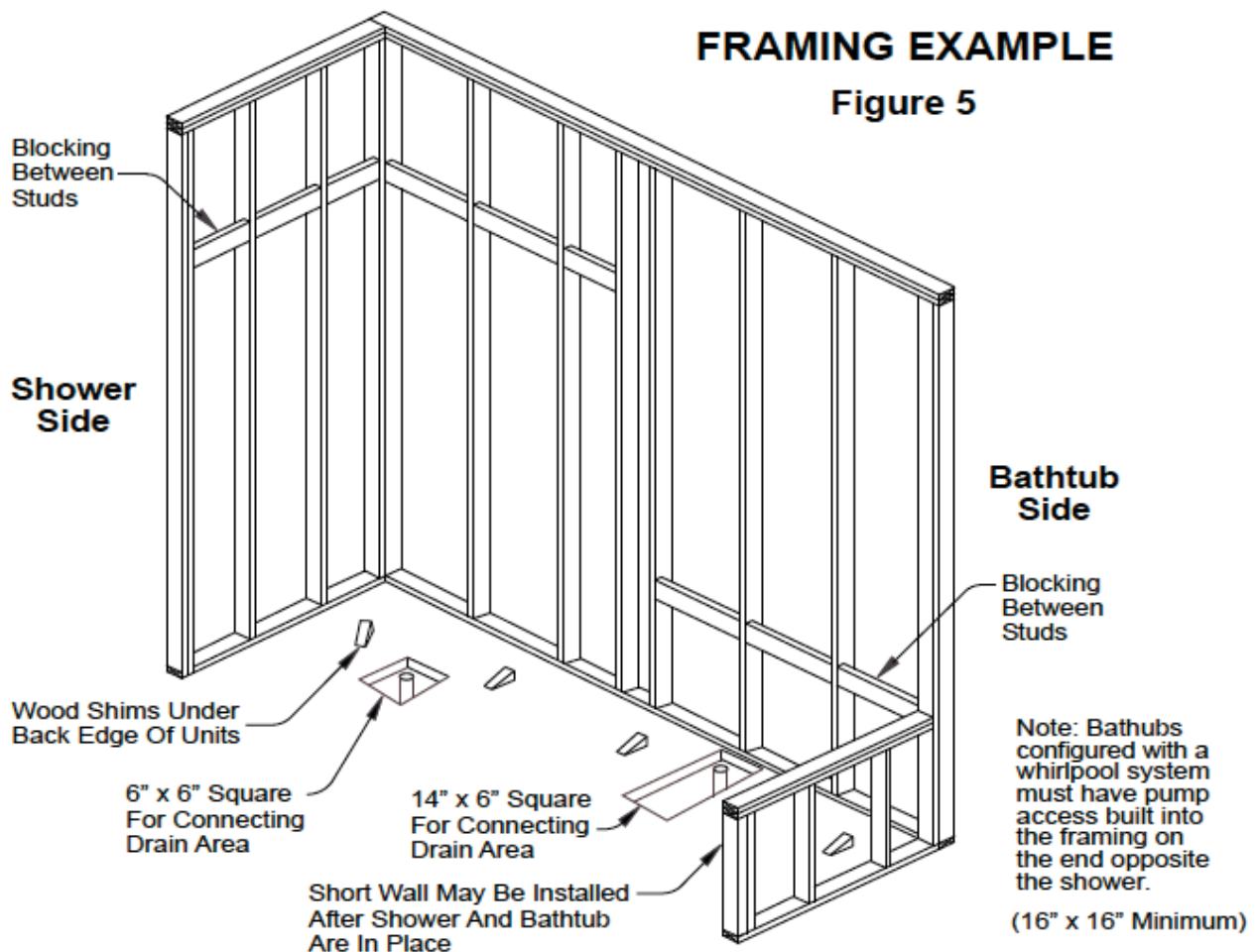
3. Remove the bridge cap and apply a generous amount of silicone adhesive on the horizontal flange molded into the shower. Apply a 1/4" to 3/8" bead of silicone adhesive to both sides where the bridge cap sits on the shower and tub. (See Detail in Figure 4 and photo 10)

4. Place the Bridge cap in place over the joint. Press the Bridge Cap down to ensure good contact with the panel adhesive. Shift so all edges are positioned to provide a good fit along the notch and where the trimmed edge of the bridge cap rests along the shower and bathtub. Clean off any excess silicone.

5. Apply Duct Tape from the bathtub over the Bridge Cap and to the side wall of the shower. Put pressure on the Bridge Cap where it meets both the bathtub and the shower on the vertical and horizontal flanges. Allow the adhesive to cure for 72 hours, then remove tape. (see photo 11)



photo 7





# Infinity - Century Combination Installation Instructions

*Gelcoat & Solid Surface Bathware*

6. Next silicone neatly around the edges of the Bridge Cap where it meets both the bathtub and shower on the vertical and horizontal flanges, and the notch. Finish off by wetting a finger and wiping the silicone. Remove any excess silicone before it cures.

7. Install short wall at tub end opposite the shower. Secure the wall to the framing and construction floor. Secure the bathtub side flange to the wall using screws through the flange.

8. The short framed wall and all adjacent framing walls around the bathing assembly must be covered with wall board. The wall board should cover the mounting flanges. Finish with ceramic tile or other water resistant materials.





# Infinity - Century Combination Installation Instructions

*Gelcoat & Solid Surface Bathware*

## **LIMITED WARRANTY**

Praxis Companies, LLC warrants to the owner of its Showers and Tub/Shower units as follows: Units manufactured of fiberglass reinforced polyester resin, that it will, free of charge, repair or exchange as its option, any Praxis Companies, LLC unit found to be defective in materials or workmanship upon inspection by an authorized representative of Praxis Companies, LLC for a period of three (3) years from date of purchase. The exchange of a unit is limited to supplying a replacement unit of comparable size and style and does not include any costs of removal or installation. This warranty shall be voided if the unit is moved from its place of initial installation or is not installed in accordance with the instructions supplied by the manufacturer of the unit. Further, this warranty does not apply if the unit has been subjected to accident, abuse, misuse, damage caused by flood, fire or act of God. Since local code requirements vary greatly throughout the country, distributors, dealers, installation contractors and users of plumbing products should determine whether there are any code restrictions on the use of a specific product. Praxis Companies, LLC makes no representation or warranty regarding and shall not be responsible for any code compliance. The owner agrees by use of this unit that the obligations of Praxis Companies, LLC shall not exceed to contingent or indirect damage or injury to the structure of its contents, that the obligations of Praxis Companies, LLC are limited to those set forth herein, and that no other obligations, expressed or implied, are assumed by Praxis Companies, LLC.

Contact: Praxis Companies, LLC  
800.443.7269

© 2013, The Praxis Companies, LLC  
435 Industrial Rd., Savannah, TN 38372  
Customer Service: 800.443.7269  
[www.praxiscompanies.com](http://www.praxiscompanies.com)