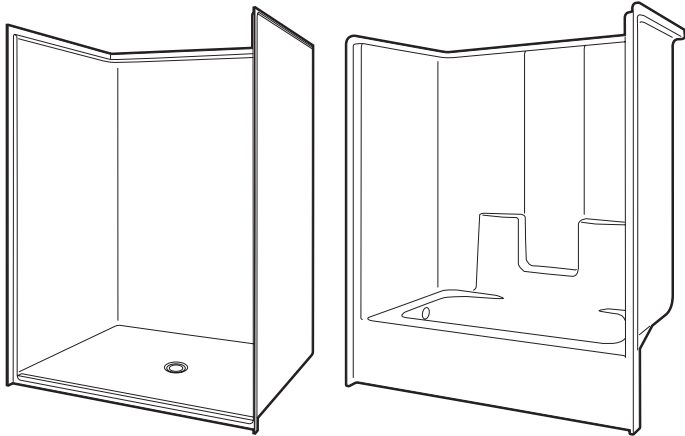




Installation Instructions

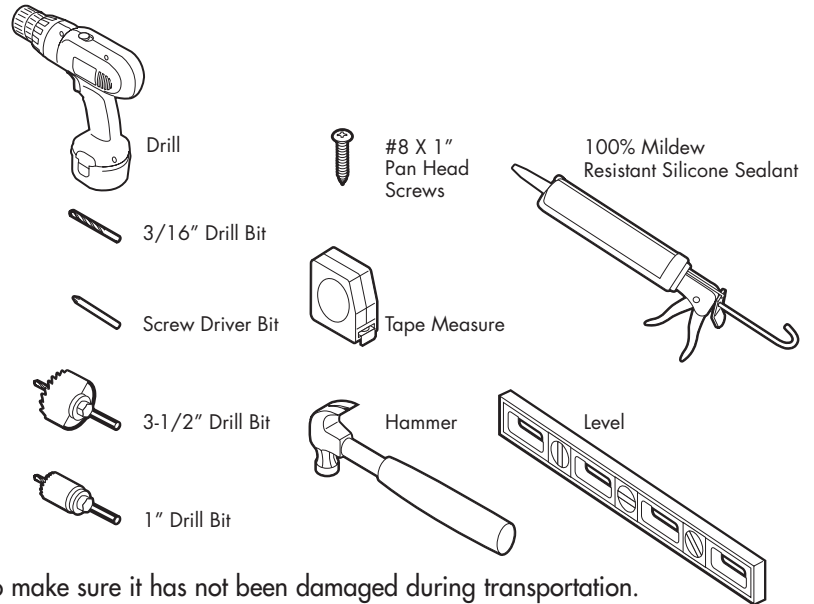
Shower Stalls/Tub-Showers

Items Included



Shower or Tub-Shower
Product illustration may not be representative of your unit.

Tools Needed



NOTICE: Please inspect the unit thoroughly before installation to make sure it has not been damaged during transportation. Under no circumstances should a damaged unit be installed. Neither Praxis nor the distributor will be responsible for removal or reinstallation costs should a replacement be necessary due to installation of a damaged unit.

PRE-INSTALLATION PLANNING

1. Unit must be placed within bathroom area before completion of door framing or, if preferred, studs may be omitted or knocked-out to permit unit placement.
2. Review job print and Praxis rough-in dimensions; verify all key dimensions against actual job conditions. Make sure framed-in alcove is of proper size, square and plumb; check floor for levelness.
3. The blocks and/or legs attached underneath the bottom of the bath fixture are an integral part of the support system and should not be removed. Although these blocks and/or legs need not touch for an acceptable install, this may be an indication that the unit and/or sub-floor are out of level.

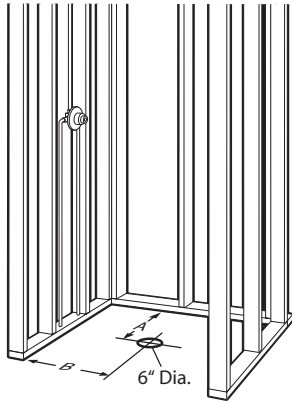
NOTE: No foundation materials are required on Praxis Shower and Tub/Shower units.

4. If fire-rated alcove is required, approved finish material must be in place prior to unit installation to meet fire safety requirements of local building code and/or FHA/HUD Minimum Property Standards. **NOTE: Finished alcove must have interior dimensions shown on rough-in diagram to permit installation of unit.**
5. **Showers:** Provide 6" (150mm) floor opening for 2" (50mm) IPS and drain connection.
Tub-Showers: Provide 6 x 12 (130 x 300) floor opening for 1 1/2" (40mm) drain, waste and overflow (DWO) kit.
NOTE: Be sure floor opening location matches bath fixture drain location.
6. To avoid obstruction, make sure that supply lines and valve plumbing are not strapped to studs and do not project into alcove. Also, drain pipe must not project above floor level prior to installation.
7. Make sure all plumbing is complete and to code.
8. To prevent scuffing while installing unit, cover the entire bottom of the unit with a piece of cardboard or other protective material.
9. **Fasten drain fitting to unit before installing** [see manufacturer's instructions].

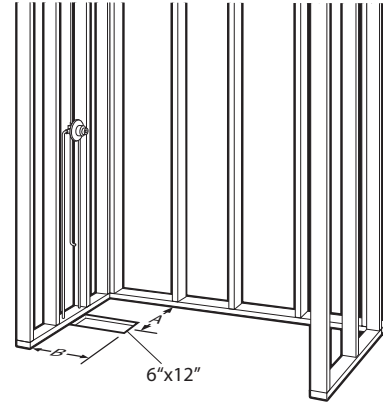
NOTE: Fasteners for wood framing—1 1/2" galvanized roofing nails or #10 x 1 1/2" self-tapping washer head screws; for concrete or block walls—1" concrete nails and nailing tool; for steel studs (18 ga.)—drill flanges and studs with 5/32" carbide bit and use #12 x 1" sheet metal screws.

INSTALLATION PROCEDURE

1A



1B

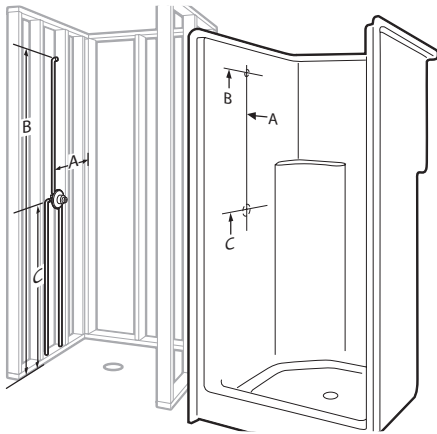


Note: If fire-rated alcove is required, approved finish material must be in place prior to unit installation to meet fire safety requirements of local building codes and/or FHA/HUD Minimum Property Standards.

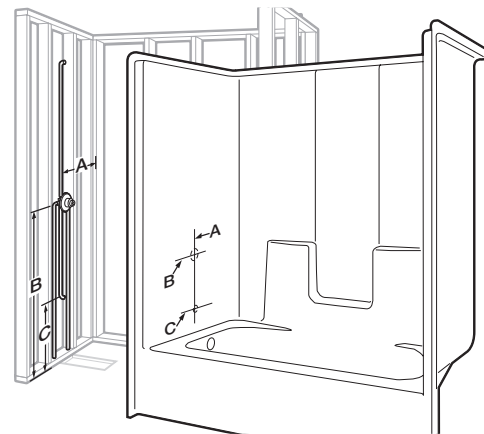
Check dimensions. Make sure framed-in alcove is of proper size, square and plumb.

For showers, refer to Diagram 1A; for tub-showers, refer to Diagram 1B.

2A



2B



If mounting fittings — from stable reference points (back wall studs, floor) measure the locations of spout and valves. Note measurements below.

For showers, refer to Diagram 2A; for tub-showers, refer to Diagram 2B.

Note measurements here:

Tub Filler: _____

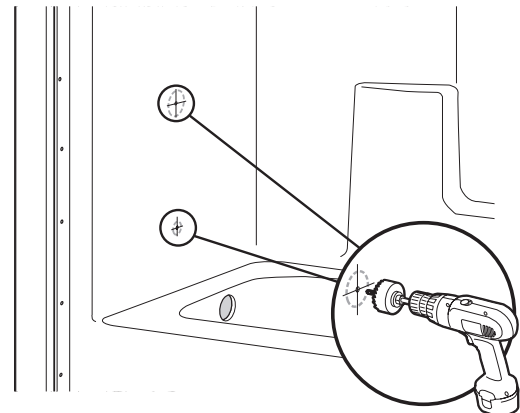
Valve: _____

Shower Arm: _____

Valve: _____

(Mark dimensions only if shower arm is plumbed within bath fixture wall area.)

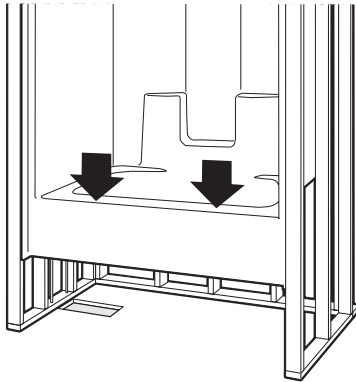
3



Mark fitting locations. (Refer to measurements from step 2.) Using a hole saw (fine tooth or abrasive grit cutting edge), make necessary openings for filler and valves, drilling from inside (smooth side) out.

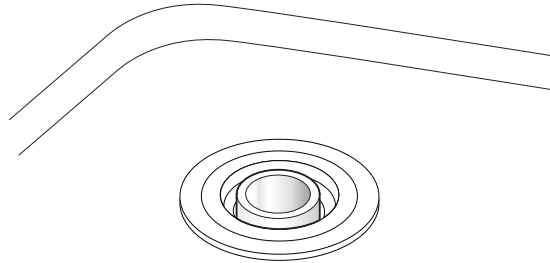
INSTALLATION PROCEDURE, CONT.

4



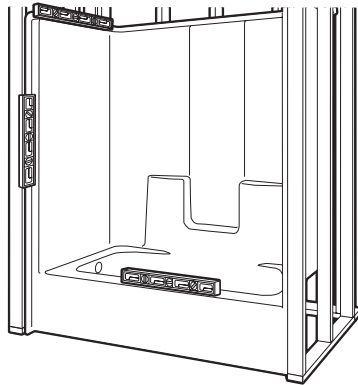
Place the unit into framing with drain fitting over and onto waste pipe with skirt firmly on the floor.

5



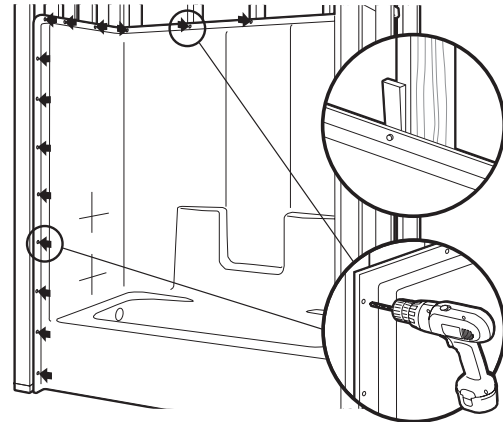
Assure waste pipe protrudes well into drain fitting. Maintain proper floor slope towards drain.

6



Check for level.

7



Pre-drill pilot holes. Fasten panel to framing at every stud and eight inches vertically through nailing flange.

When other than cementitious backer board plaster is to be used, furring strips as thick as nailing flanges are recommended for installation on studs above the installed Aquatic unit to assure walls will be flush. 100% silicone with mildew resistant properties should be applied between the backer board and horizontal surface of unit. Then finished wall materials can be applied.

CLEAN-UP

1. **Do not remove warranty/maintenance adhered label.**
Leave on unit for owner/occupant per code requirement.
2. **Prevent staining.** Remove **all** debris before plumbing leak test. Use sponge with warm water and liquid detergent. Rinse, drain and wipe clean. Do not use abrasive cleansers such as scouring powders, steel wool, metal scrapers, sandpaper or anything else that might mar, dull or scratch the finish.
3. Plaster and latex paint may be removed with warm water, liquid detergent and brittle brush or plastic scraper. Glues, tars and enamels may be removed with acetone or paint thinner. **Do not use** turpentine or laquer thinner. **Do not use** excessive heat or any caustic solvents or chemicals.
4. Dull areas and light scratches may be removed by buffing with a light colored automotive rubbing compound and buffing pad. Entire unit can be waxed with light colored automotive wax. **Do not wax bottom of unit.**
5. See user maintenance label for more details.



USER MAINTENANCE INSTRUCTIONS

IMPORTANT! Use only recommended cleaners and procedures described herein. Use of other materials and methods may damage your bath fixture and void the warranty.

1. For normal cleaning: Never use abrasive cleaners such as scouring powders or pads, steel wool, scrapers, sandpaper or anything else that could scratch or dull the surface of your Praxis unit. Instead, use warm water and liquid detergents or non-abrasive cleansers, especially those bathroom cleaners recommended for cleaning fiberglass.
2. To keep your Praxis bath fixture sparkling clean: Apply a coat of good quality automotive paste wax or polish and buff to a high shine with a soft cloth or towel. Repeat every six months for easier cleaning and long lasting protection.

NOTE: DO NOT WAX textured, slip-resistant standing surface of the unit bottom. This could result in greater risk of slipping and personal injury.

3. To restore a scratched or dull unit: Use an automotive polishing compound applied with a clean cotton rag. Rub scratches and dull areas vigorously. Wipe off residues. Follow with automotive wax treatment described above.
4. To remove adhesive: Try 3-M Natural Cleaner, De-Solv-It or similar materials. If residues remain, saturate a small, white, cotton rag with nail polish remover (naphtha or acetone) and rub vigorously until the adhesive dissolves and disappears. These solvents are highly flammable and must be used sparingly and with caution. Do not smoke or permit others to do so. Make sure all nearby heating devices (including pilot lights) are extinguished. Do not allow solvent to go down the drain. Make sure not to contact plastic drain grates or other synthetic materials.
5. Rubber Mats: If you use a rubber "anti-skid" mat, make sure to remove it from the unit after each use to avoid harm to the surface finish.
6. Hard Water: Water in certain regions, if not wiped up after bathing/showering, may cause fading of some bath fixture colors. This is a natural occurrence beyond Praxis's control. (See Warranty)

CAUTION: When using any cleaning or polishing materials, make sure to read and follow all package instructions carefully. Wear rubber gloves at all times and avoid contact with eyes, skin, clothing, rugs and furnishings. Make sure all residues are rinsed off thoroughly.

Customer Service | Technical Services | Warranty Services

American Bath Group
Address: 435 Industrial Road
Savannah, TN 38372
Phone: (800) 443-7269

Rev. 04.09.19